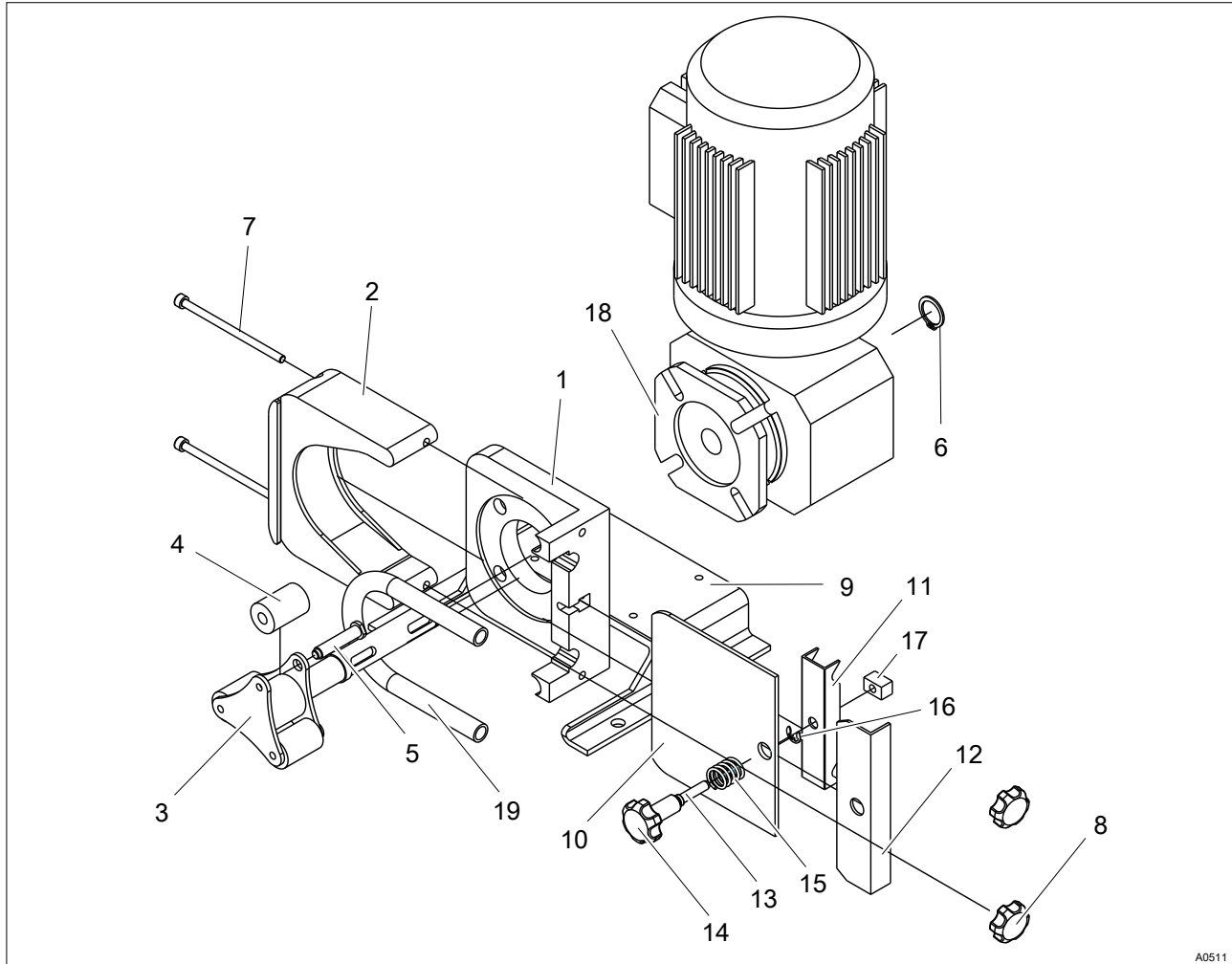


## 7.5 Spare parts



A0511

Fig. 3: Spare parts exploded view DFAa 003/008

### DFAa 003

refer to Fig. 3

Pos.	Description	Quantity	Reference	Part number
1	Mount pump housing	1	115.00.01	
2	Pump housing	1	115.00.02	
3	Rotor with steel shaft	1	115.00.03	
	Rotor with stainless steel shaft	1	115.00.04	
4	Roller for pump hose with 2.4 mm wall thickness / Plastic A	3	115.00.05	
	Roller for pump hose with 2.4 mm wall thickness / Plastic B	3	115.00.06	
5	Shaft for roller	3	115.00.09	
6	Safety ring for rotor shaft	1	115.00.10	
7	Pump housing screws	2	115.00.11	
	Stainless steel pump housing screws	2	115.00.12	

**DFAa 003**

refer to Fig. 3

Pos.	Description	Quantity	Reference	Part number
8	Pump housing nuts	2	115.00.13	
9	Base plate	1	115.00.14	
	Base plate, stainless steel	1	115.00.15	
10	Front cover, polycarbonate	1	115.00.16	
11	Pump hose clamping pad	1	115.00.17	
	Stainless steel pump hose clamping pad	1	115.00.18	
12	Front cover fascia, steel	1	115.00.19	
	Front cover fascia, stainless steel	1	115.00.20	
13	Adjustment screw, steel	1	115.00.21	
	Adjustment screw, stainless steel	1	115.00.22	
14	Adjustment screw grip, plastic	1	115.00.23	
15	Coil spring	1	115.00.24	
16	Safety ring adjustment screw	1	115.00.25	
17	Thread insert	1	115.00.26	
	Thread insert, stainless steel	1	115.00.27	
18	Drive	1		
19	Pump hose silicone	1		1037107
	Pump hose Norprene A-60-F	1		1037144
	Pump hose Solva	1		1037145

**DFAa 008**

refer to Fig. 3

Pos.	Description	Quantity	Reference	Part number
1	Mount pump housing	1	115.00.01	
2	Pump housing	1	115.00.02	
3	Rotor with steel shaft	1	115.00.03	
	Rotor with stainless steel shaft	1	115.00.04	
4	Roller for pump hose with 2.4 mm wall thickness / Plastic A	3	115.00.05	
	Roller for pump hose with 2.4 mm wall thickness / Plastic B	3	115.00.06	
5	Shaft for roller	3	115.00.09	
6	Safety ring for rotor shaft	1	115.00.10	
7	Pump housing screws	2	115.00.11	
	Stainless steel pump housing screws	2	115.00.12	
8	Pump housing nuts	2	115.00.13	

**Maintenance, repair, malfunctions, disposal and spare parts****DFAa 008**

refer to Fig. 3

Pos.	Description	Quantity	Reference	Part number
9	Base plate	1	115.00.14	
	Base plate, stainless steel	1	115.00.15	
10	Front cover, polycarbonate	1	115.00.16	
11	Pump hose clamping pad	1	115.00.17	
	Stainless steel pump hose clamping pad	1	115.00.18	
12	Front cover fascia, steel	1	115.00.19	
	Front cover fascia, stainless steel	1	115.00.20	
13	Adjustment screw, steel	1	115.00.21	
	Adjustment screw, stainless steel	1	115.00.22	
14	Adjustment screw grip, plastic	1	115.00.23	
15	Coil spring	1	115.00.24	
16	Safety ring adjustment screw	1	115.00.25	
17	Thread insert	1	115.00.26	
	Thread insert, stainless steel	1	115.00.27	
18	Drive	1		
19	Pump hose silicone	1		1037146
	Pump hose Norprene A-60-G	1		1037147
	Pump hose Norprene A-60-F	1		1037148
	Pump hose Solva	1		1037149

**Lubricant**

Pos.	Description	Quantity	Reference	Part number
1	0.5 kg silicone grease	1		1037255
2	1.0 kg silicone grease	1		1037256